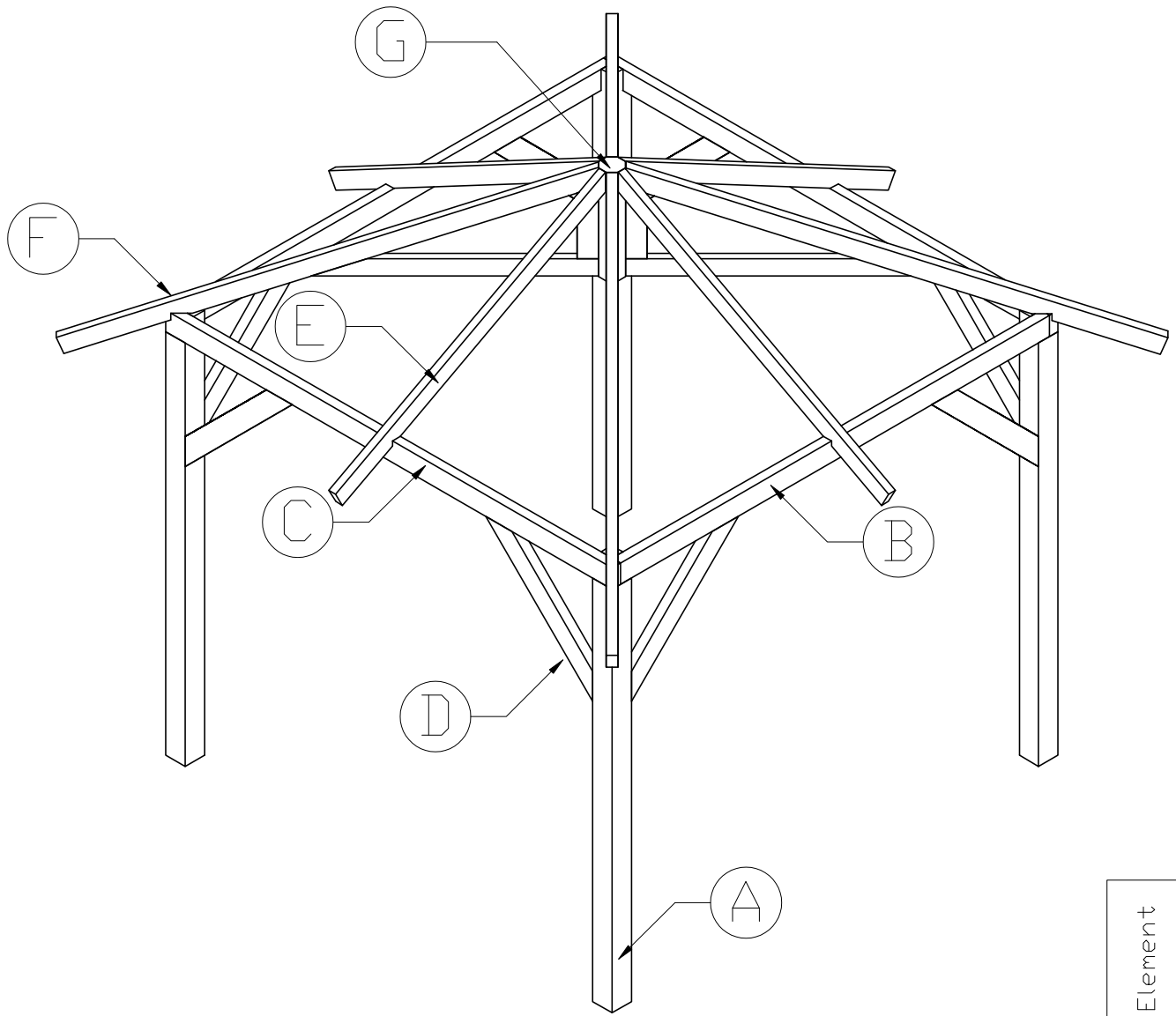


# *Gazebo Tourist*



| Element | Quantity |
|---------|----------|
| A       | 4        |
| B       | 2        |
| C       | 2        |
| D       | 8        |
| E       | 4        |
| F       | 4        |
| G       | 1        |

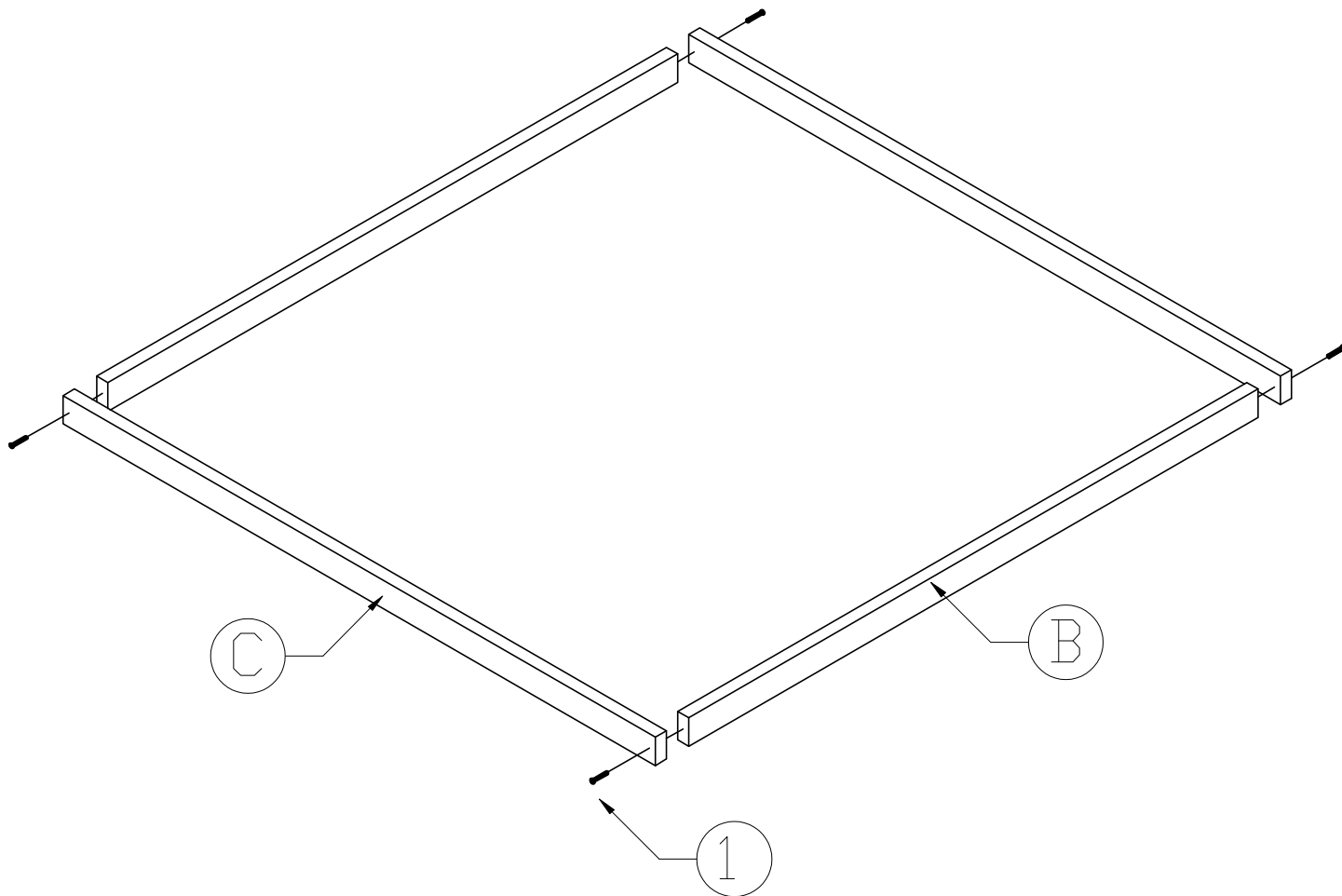
| Assembling parts |                                      |    |
|------------------|--------------------------------------|----|
| #                | Element                              | Q. |
| 1                | Wood screw $\varnothing 4 \times 80$ | 30 |
| 2                | Nail $\varnothing 4 \times 100$      | 35 |

Article: Gazebo Tourist

Page: 2/17

Article nr: 42.3434



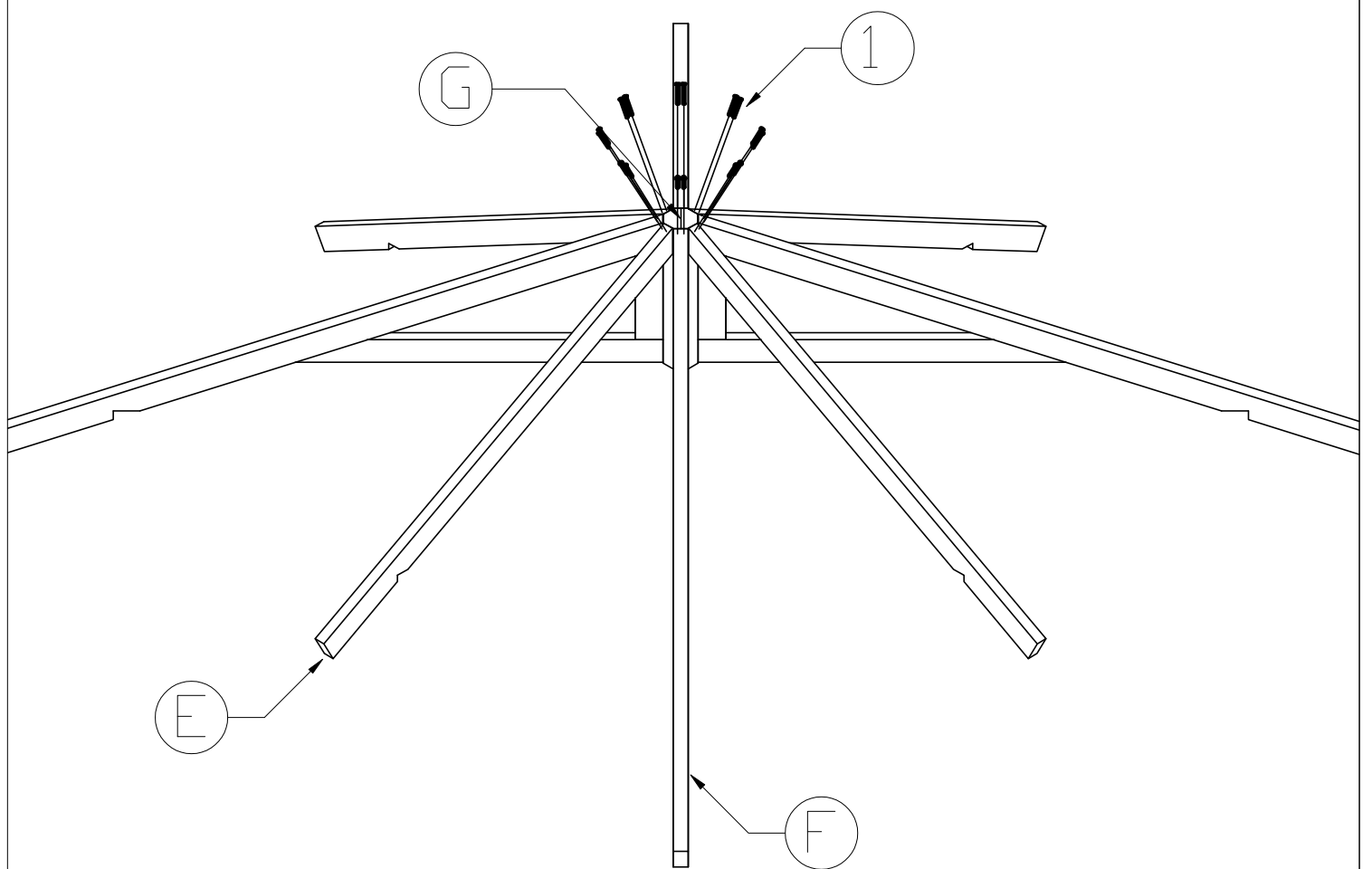


Article:  
Gazebo Tourist - Assemblage

Page:  
3/17

Article nr:  
42.3434



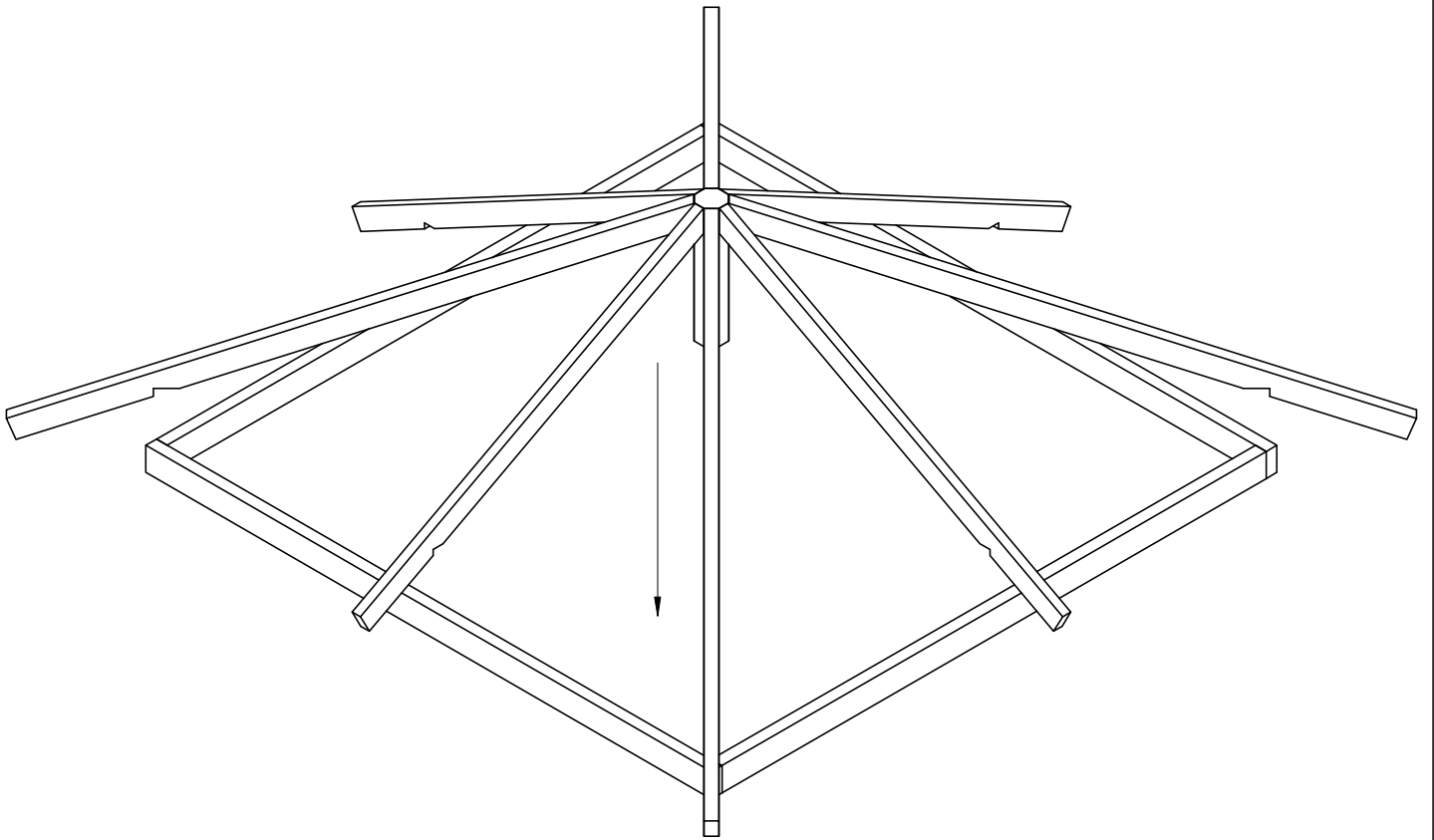


Article:  
Gazebo Tourist - Assemblage

Page:  
4/17

Article nr:  
42.3434





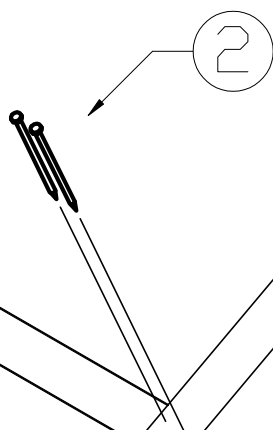
Article:  
Gazebo Tourist - Assemblage

Page:  
5/17

Article nr:  
42.3434



Use nails #2 to attach rafters to the side beams



Article:

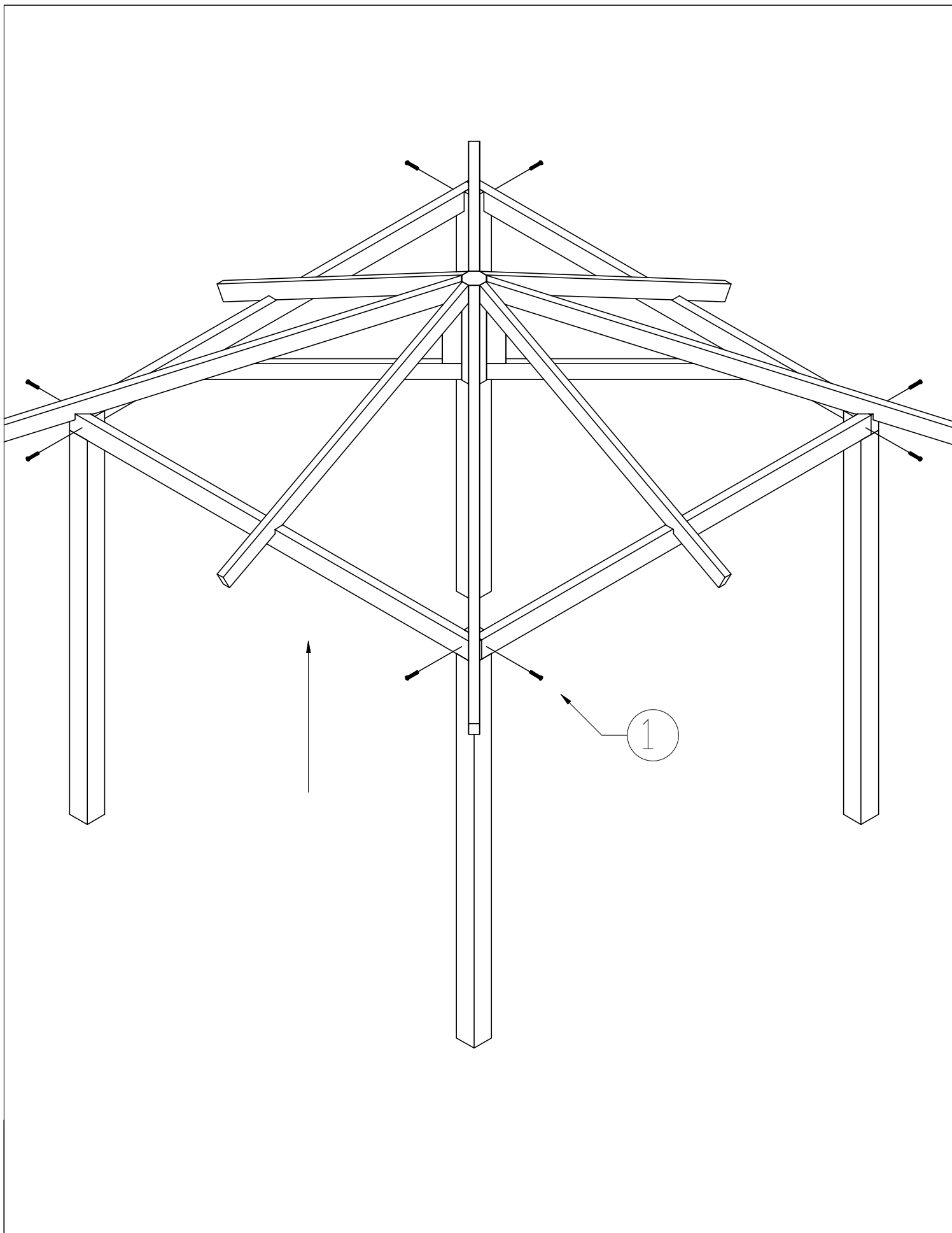
Gazebo Tourist - Assemblage

Page:

6/17

Article nr:

42.3434

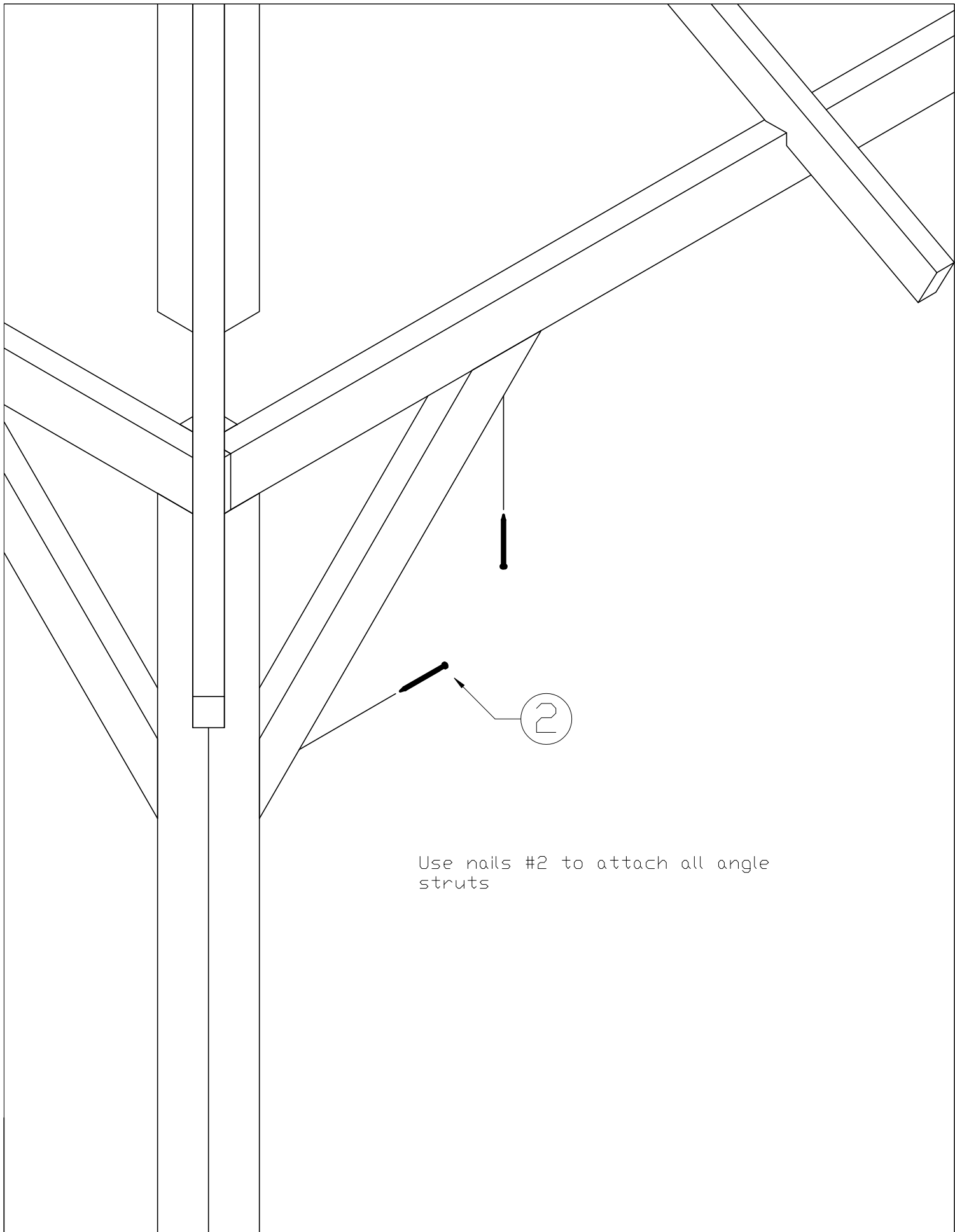


Article:  
Gazeko Tourist - Assemblage

Page:  
7/17

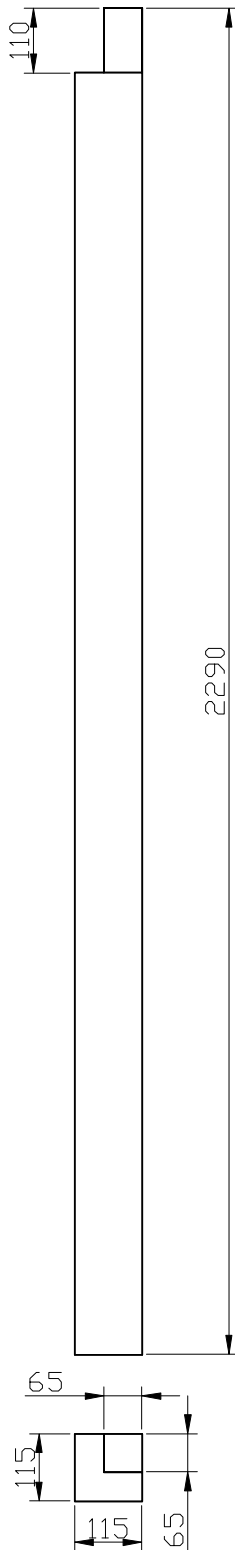
Article nr:  
42.3434





Use nails #2 to attach all angle struts



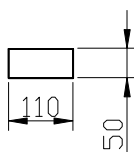


Article:  
Gazebo Tourist - Element A

Page:  
9/17

Article nr:  
42.3434





Article:

Gazebo Tourist - Element B and C

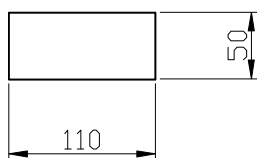
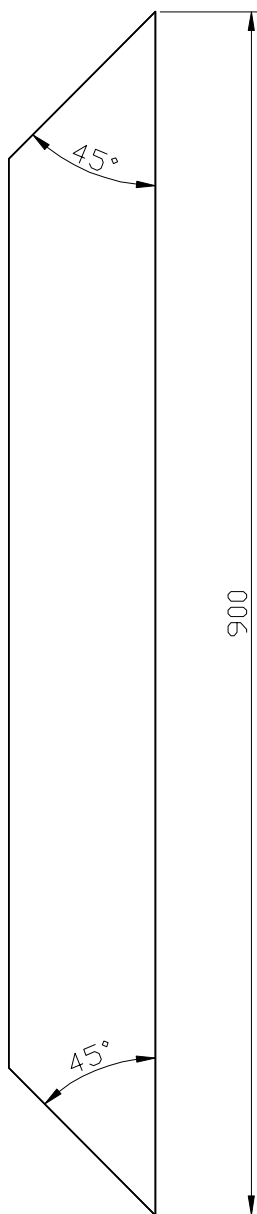
Page:

10/17

Article nr:

42.3434



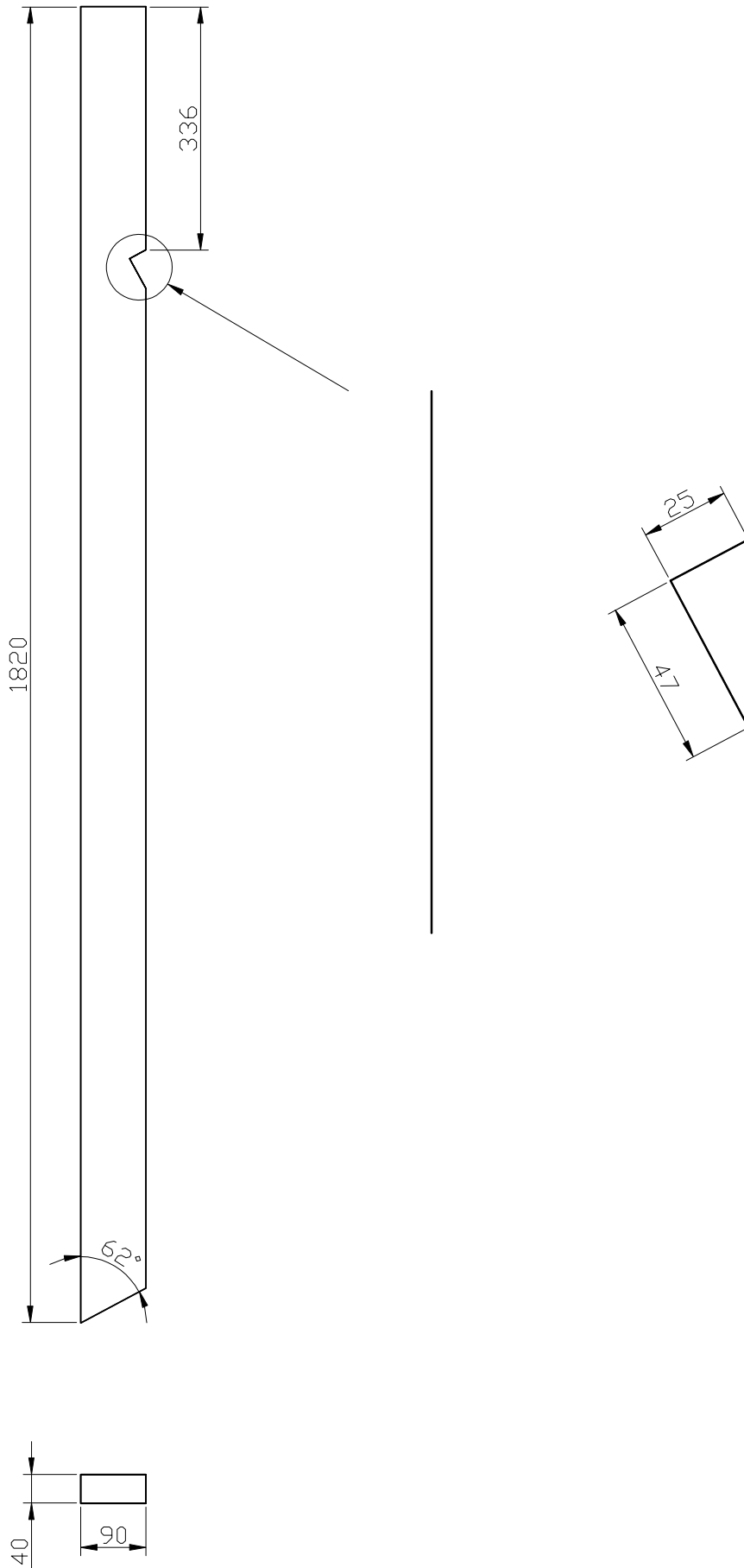


Article:  
Gazebo Tourist - Element D

Page:  
11/17

Article nr:  
42.3434



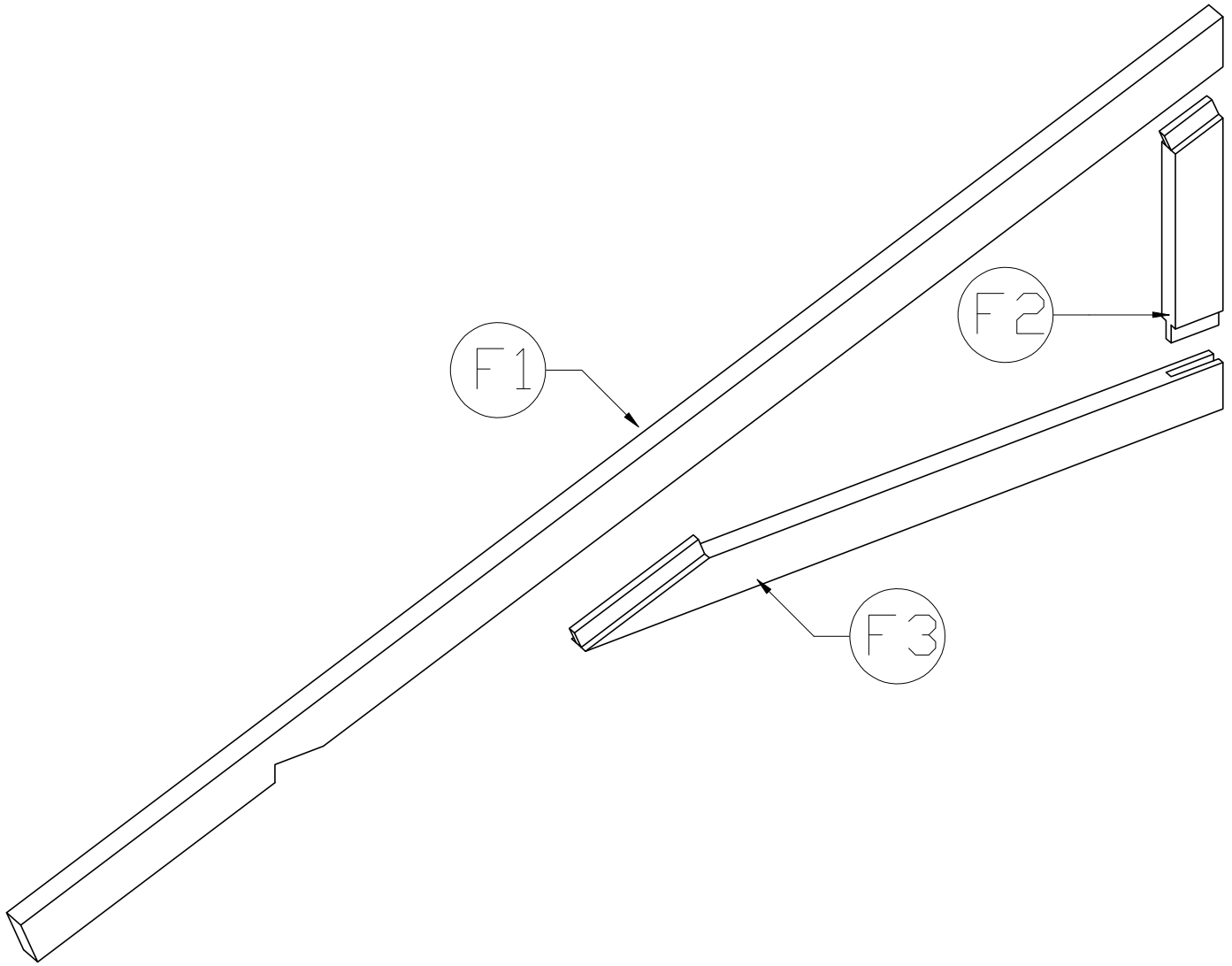


Article:  
Gazebo Tourist - Element E

Page:  
12/17

Article nr:  
42.3434



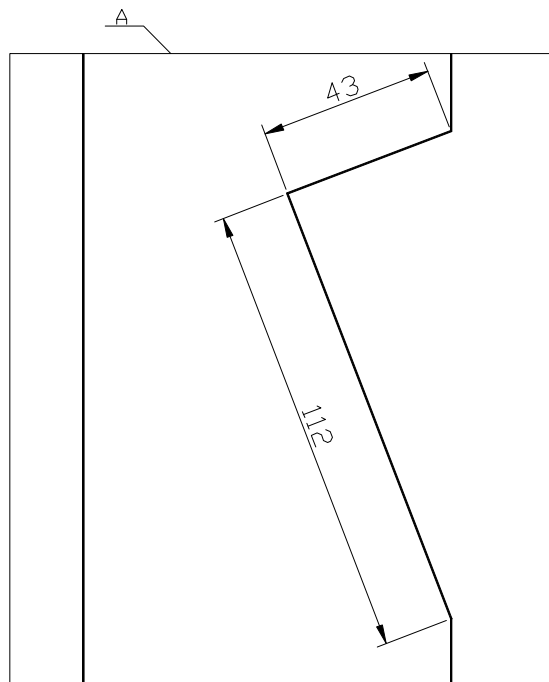
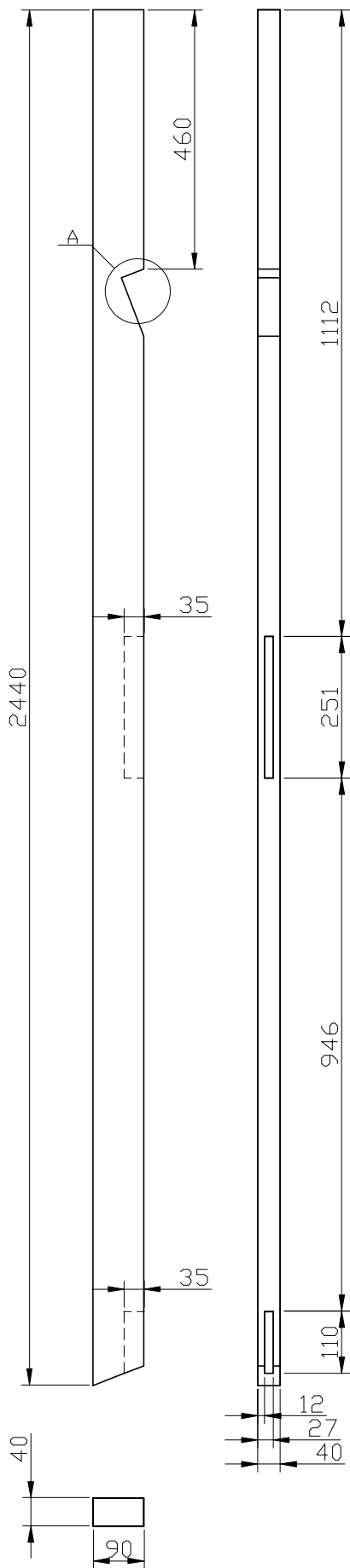


Article:  
Gazebo Tourist - Element F

Page:  
13/17

Article nr:  
42.3434





Article:

Gazeko Tourist - Element F part F1

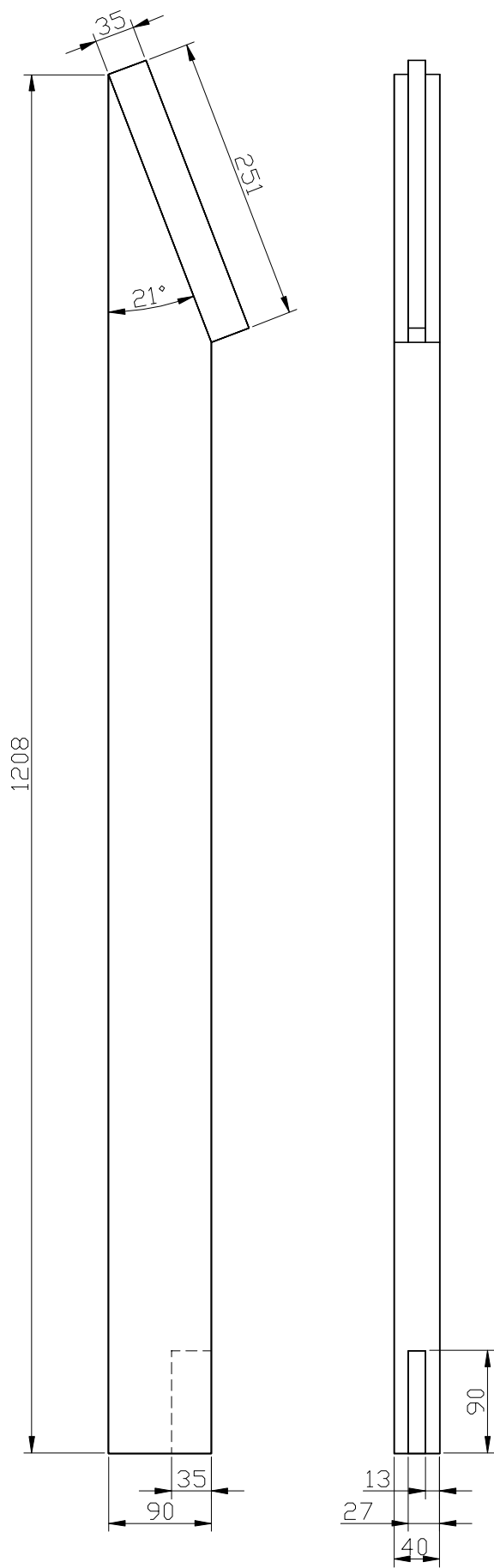
Page:

14/17

Article nr:

42.3434





Article:

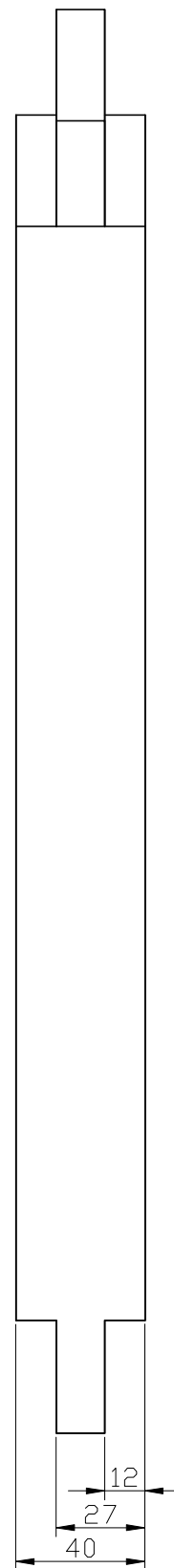
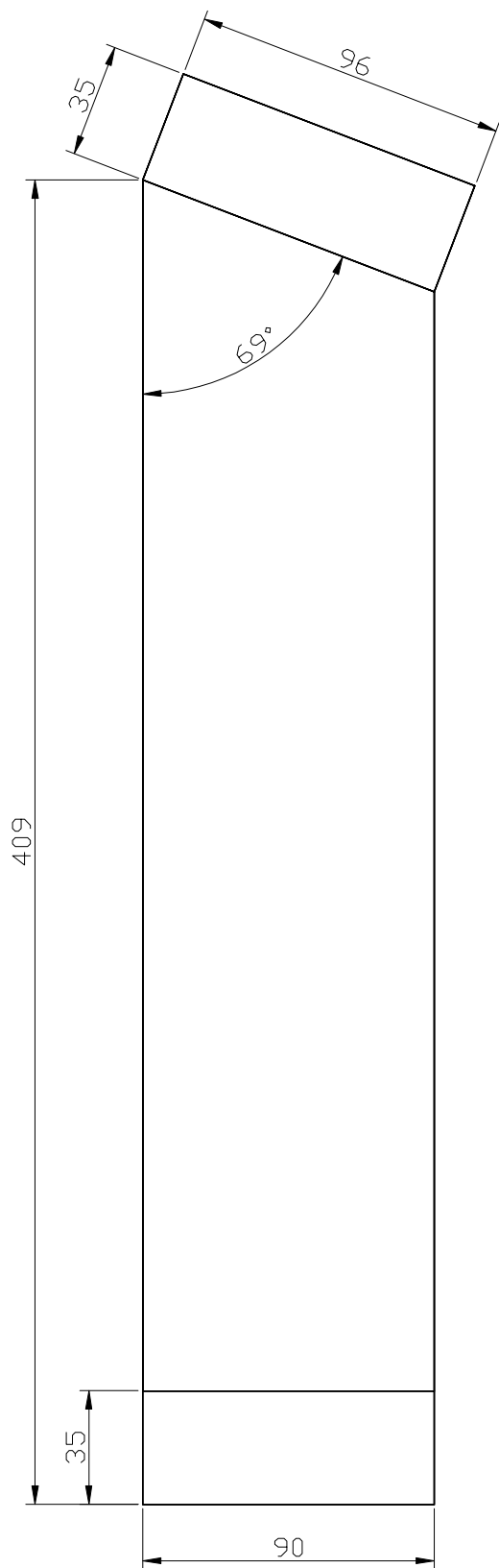
Gazebo Tourist - Element F part F2

Page:

15/17

Article nr:

42.3434

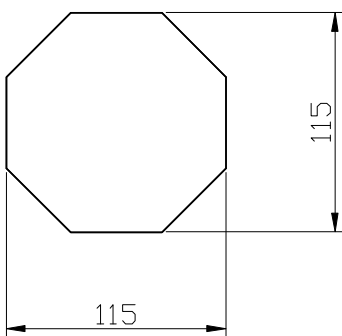
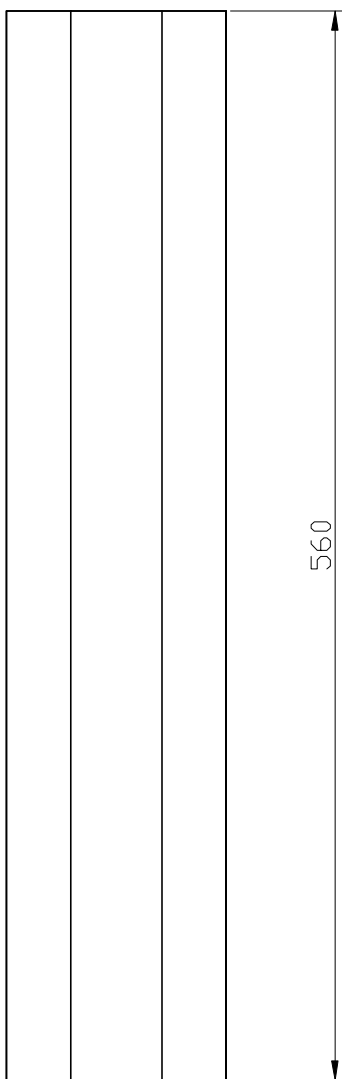


Article:  
Gazebo Tourist - Element F part F3

Page:  
16/17

Article nr:  
42.3434





Article:  
Gazebo Tourist - Element G

Page:  
17/17

Article nr:  
42.3434

